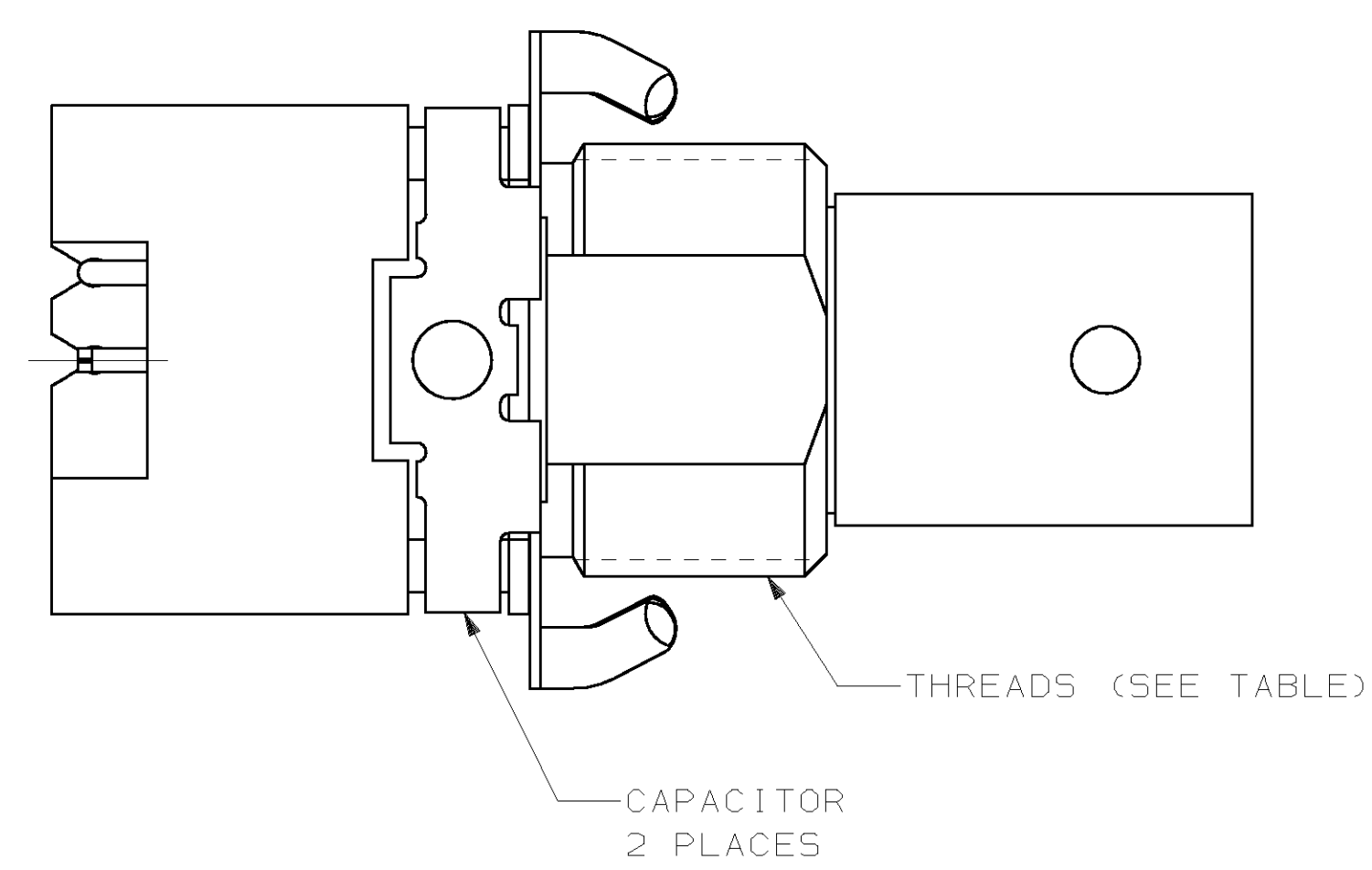
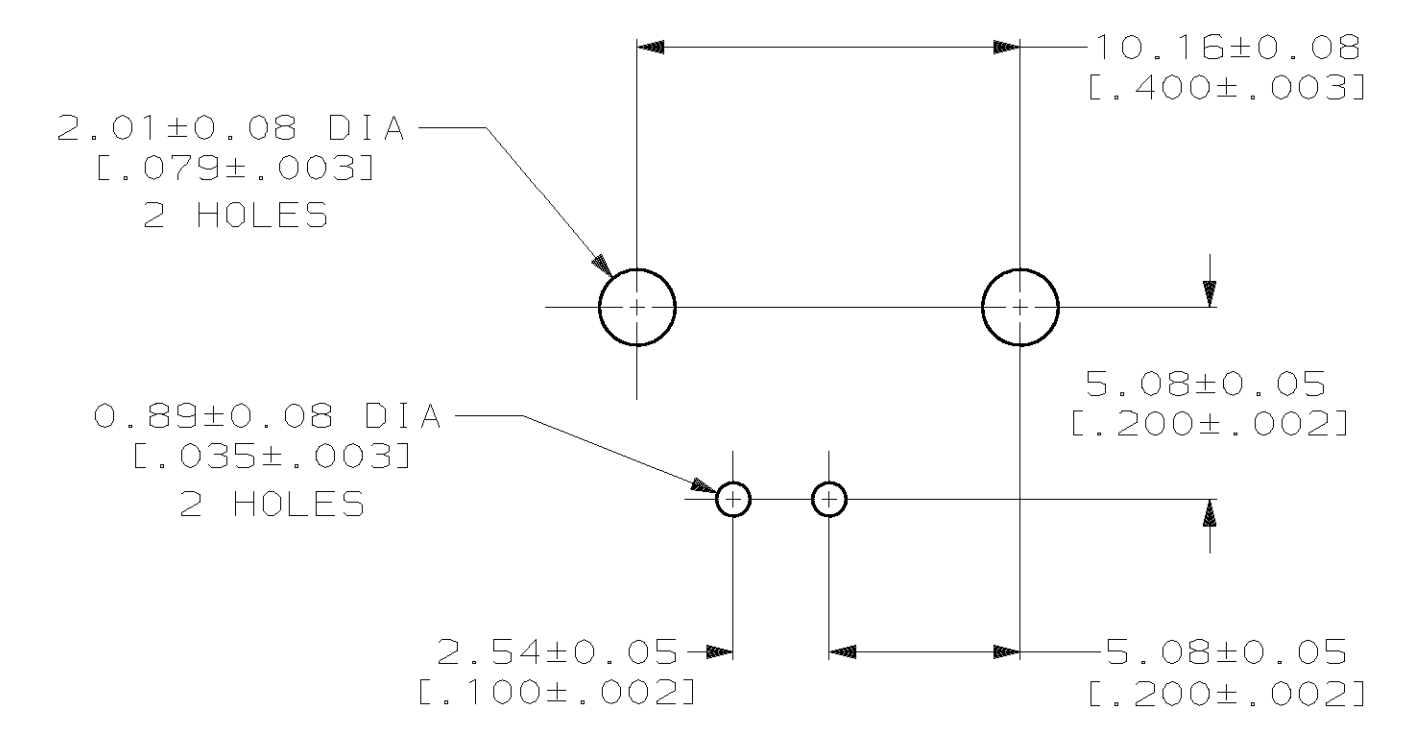
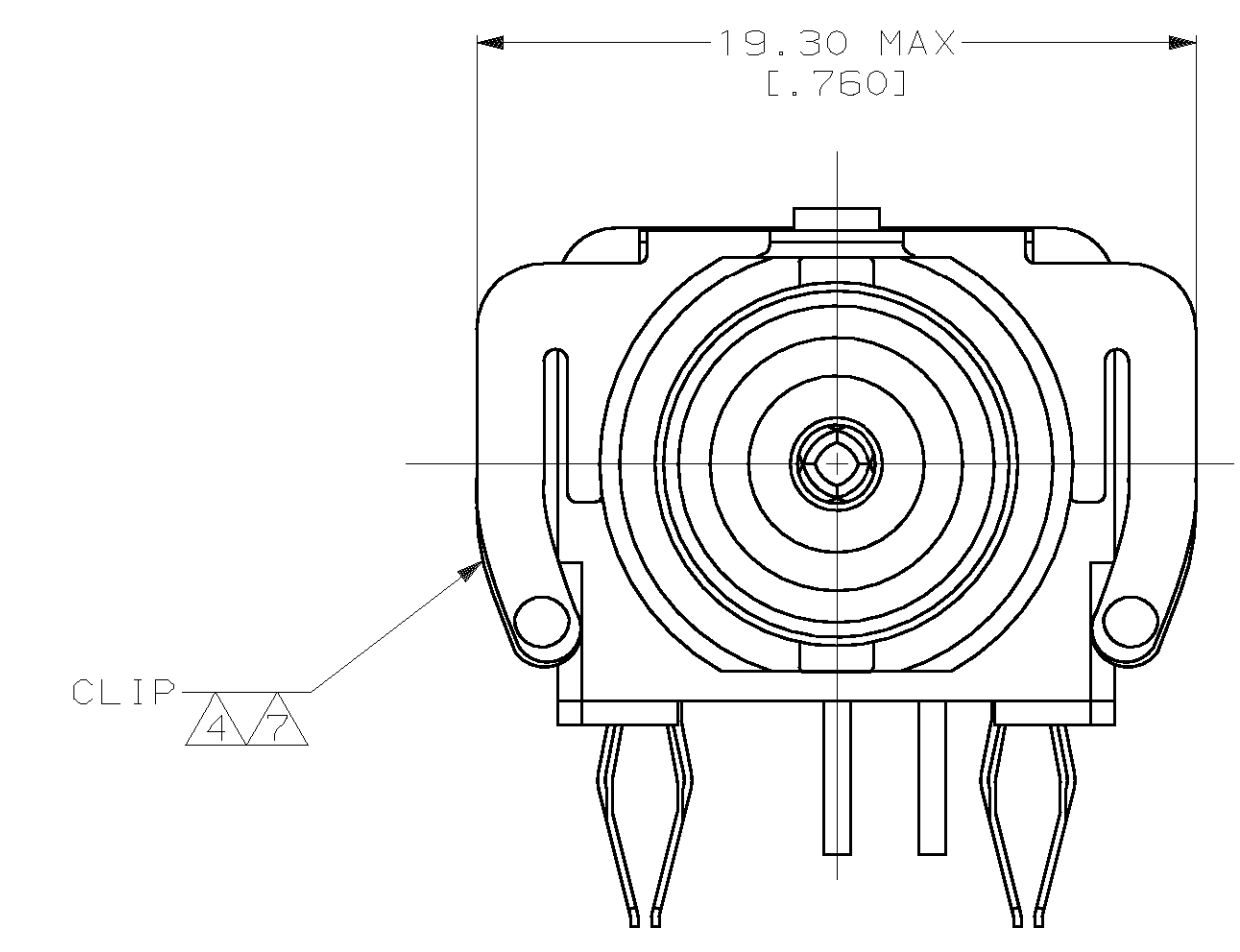
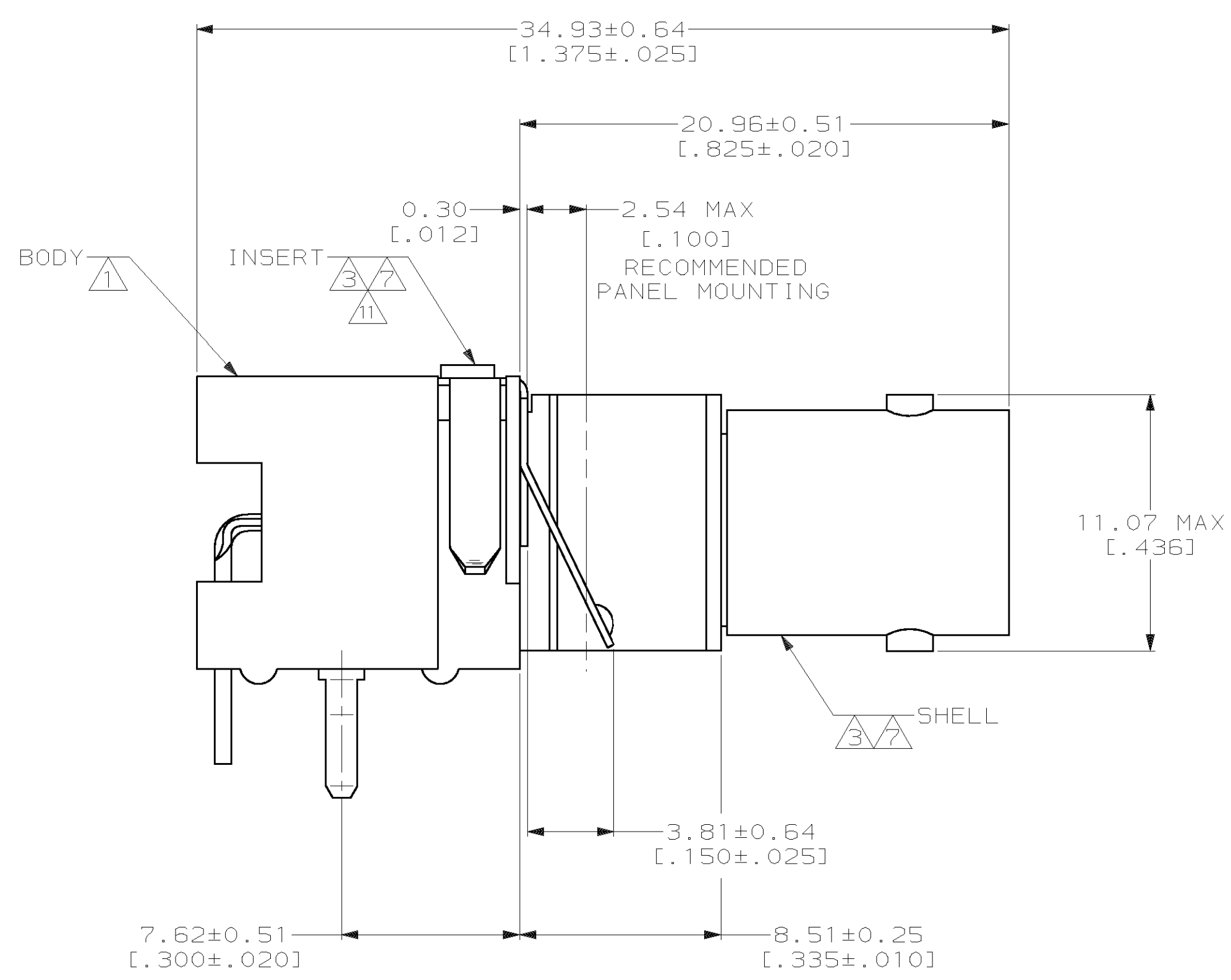
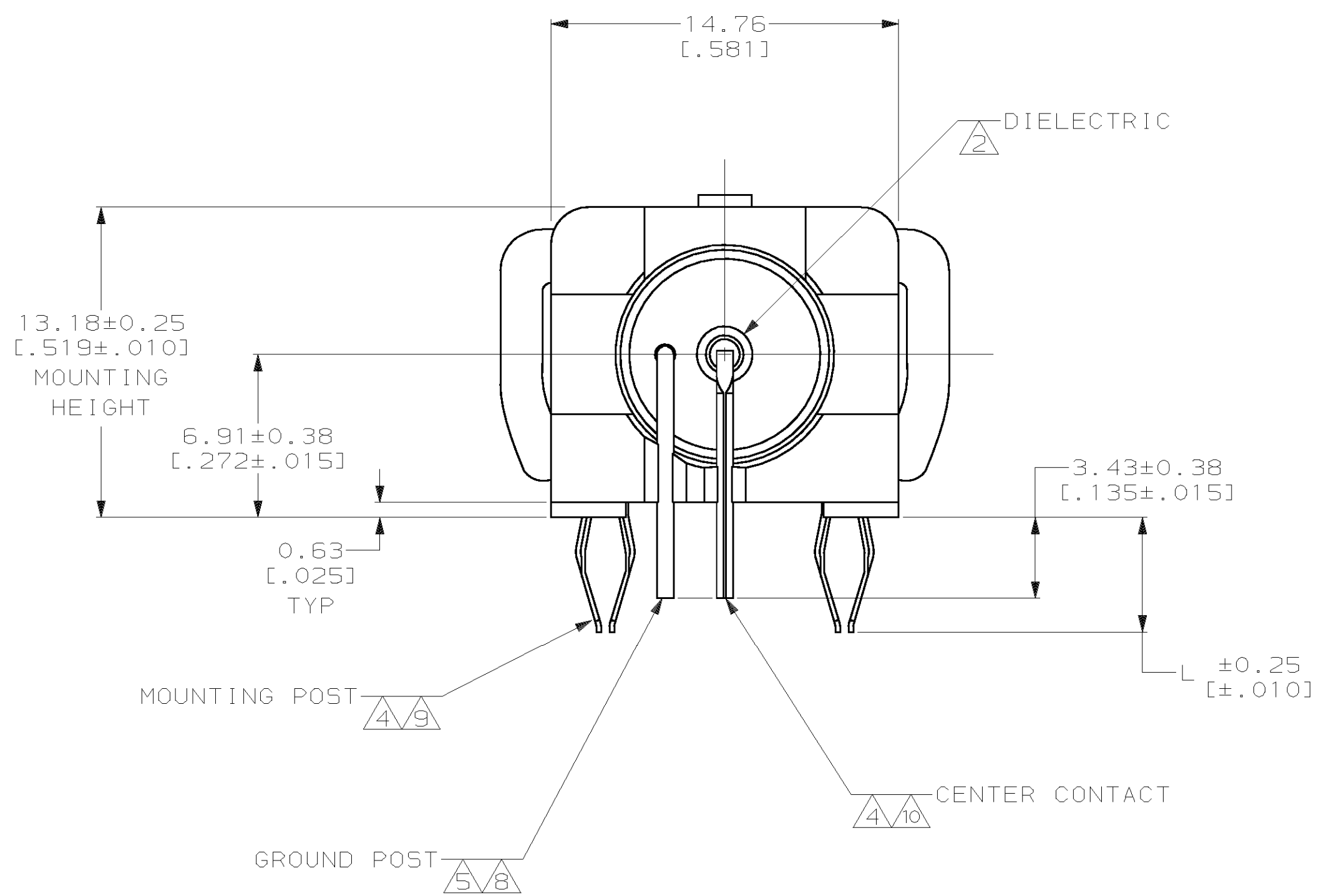


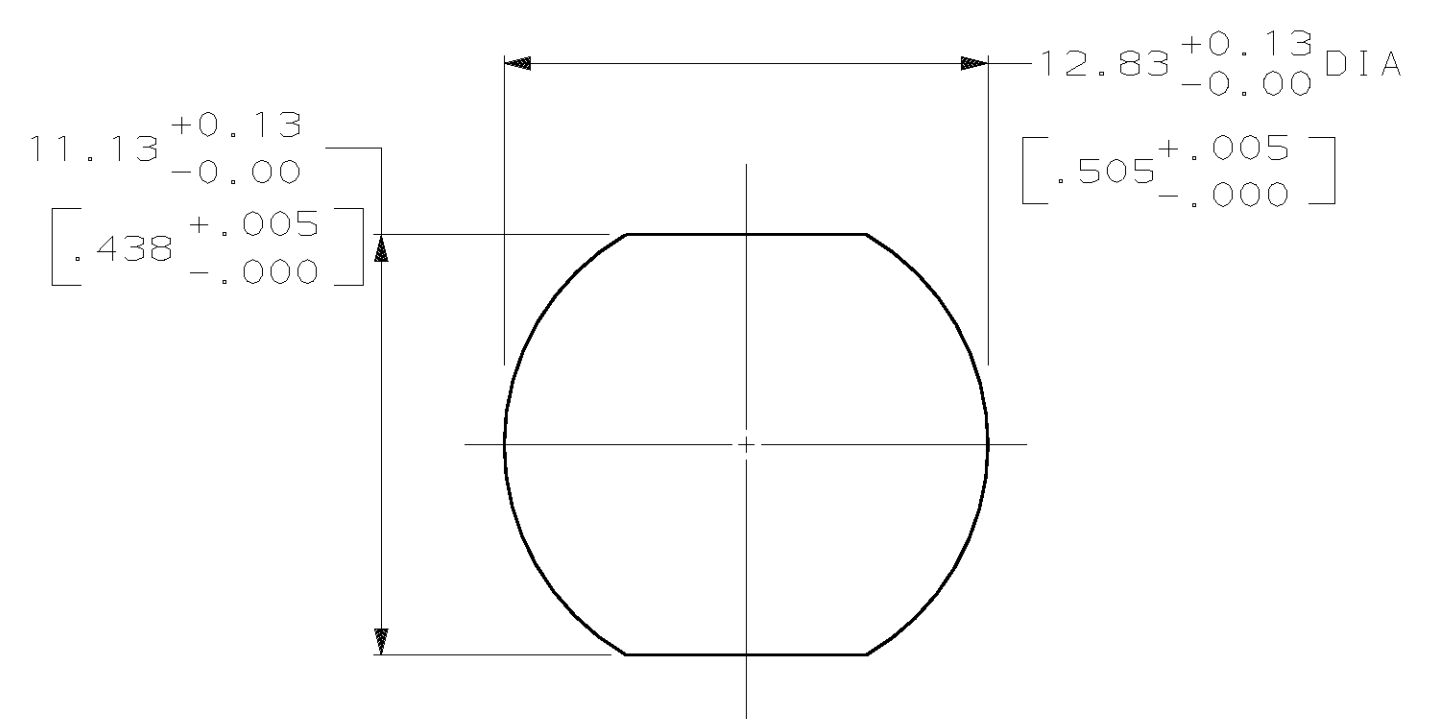
LOC		DIST		REVISONS		DATE	APPD
ZONE	LTR	DESCRIPTION	DATE	APPD			
AJ	16	P	F	H	SUPSD -1 PER OE10-0110-99	11FEB00	MO



- 1 POLYESTER, PBT, BLACK, PER MIL-M-24519.
- 2 POLYMETHYLPENTENE GENERAL PURPOSE.
- 3 ZINC PER QQ-Z-363.
- 4 PHOSPHOR BRONZE PER QQ-B-750.
- 5 BRASS PER QQ-B-626.
- 6 BRASS PER ASTM-B-453.
- 7 NICKEL PL PER QQ-N-290.
- 8 TIN-LEAD PL PER MIL-P-81728.
- 9 TIN-LEAD PL PER ASTM-B-545.
- 10 SELECTIVELY GOLD PLATED ON INTERFACE AREA PER MIL-G-45204, 0.76 [.000030] THK, TIN-LEAD PLATED ON SOLDER TAIL PER MIL-P-81728, ALL OVER NICKEL PL PER QQ-N-290.
- 11 ESD DEVICE, VOLTAGE BREAKDOWN <3.5KVDC.
- 12 1/2-28 UNEF-2A



PCB CONFIGURATION



RECOMMENDED PANEL CUTOUT

2.79 [.110]	12	7900 pF, 1500 VDC	414651-3
OBSOLETE	-	NO THREADS	7900 pF, 1500 VDC
4.70 [.185]	12	7900 pF, 1500 VDC	414651-1
L		THREADS	CAPACITANCE & VOLTAGE
			PART NO

DO NOT SCALE PRINT. UNLESS SPECIFIED DIMENSIONS IN mm [INCHES] TOLERANCES ON: 2 PLC DEC ± 0.20 [0.008] 3 PLC DEC ± - ANGLES ± -		DR 7-15-94 J. LIPPERT		AMP Incorporated Harrisburg, PA 17105-3608	
SEE NOTES 1 THRU 6		CHK 7-18-94 D. TAYLOR			
FINISH		APPD 7-18-94 D. TAYLOR		NAME	
SEE NOTES 7,8,9 & 10		APPD 7-18-94 J. LIPPERT		JACK, DECOUPLER, PCB RIGHT ANGLE, LOW PROFILE, ESD PROTECTED, BNC	
WEIGHT		PRODUCT SPEC 108-1269		DRAWING NO	
		APPLICATION SPEC		SIZE	
				CAGE CODE	
				DRAWING NO	
				SCALE	
				SHEET	

THIS DRAWING IS A CONTROLLED DOCUMENT FOR AMP INCORPORATED. IT IS SUBJECT TO CHANGE AND THE CONTROLLING ENGINEERING ORGANIZATION SHOULD BE CONTACTED FOR THE LATEST REVISION.